

# Series 56,703 (1-056-7X3) Foot Mounted, Bearing-Supported Thru-Shaft

[BACK TO TABLE OF CONTENTS](#)



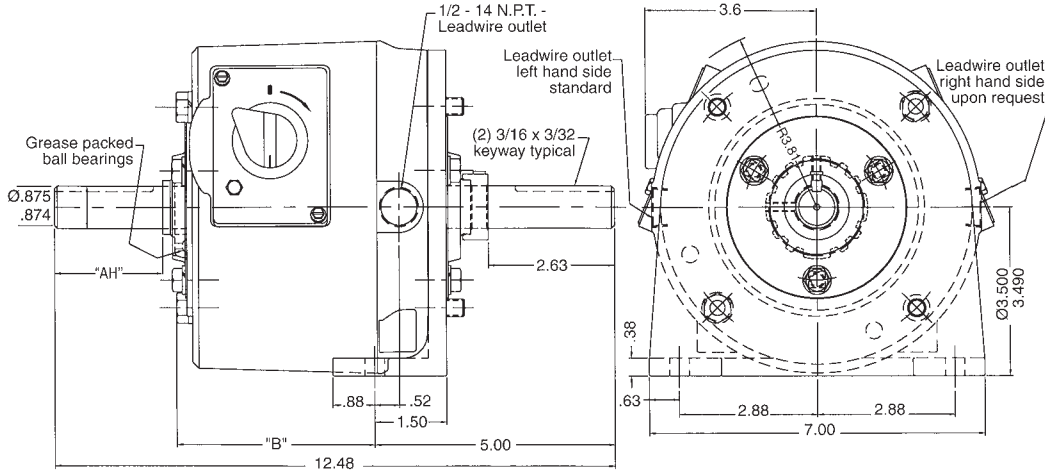
**Static Torque:** 1.5 through 25 lb-ft  
**Enclosure Material:** Die Cast Aluminum  
**Enclosure Protection:** IP 23 (formerly referred to by Stearns as NEMA 2).  
**Release Type:** Side Release Knob  
**Installation, Service and Parts List:**  
 P/N 8-078-905-27

**Universal Mounting:** 1.5 through 15 lb-ft. 20 and 25 lb-ft supplied with springs for vertical modification.  
 Brake set and release times in milliseconds, when brake and motor are switched separately  
 (for T1/T2 definitions, see page 101):

**Specifications:** Page 11  
**Modifications:** Pages 54-63

Static Torque lb-ft	Coil Size	T1	T2
1½ - 25	4, K4, K4+, M4+	25	24

Maximum overhung or side load measured at one inch from end of shaft: 36 lbs



Dimensions for estimating only. For installation purposes request certified prints.

## Dimensions

Nominal Static Torque		No. of Friction Discs	"B"	"AH"
Lb-Ft	(Nm)			
1.5	(2)	1	4.13	2.69
3	(4)			
6	(8)			
10	(14)	2	4.56	2.25
15	(20)			
20	(27)	3	4.56	2.25
25	(34)			

Nominal Static Torque		Basic Model Number	
Lb-Ft	(Nm)	AC	DC
1.5	(2)	1-056-703-00-XX	1-056-707-00-XX
3	(4)	1-056-713-00-XX	1-056-717-00-XX
6	(8)	1-056-723-00-XX	1-056-727-00-XX
10	(14)	1-056-733-00-XX	1-056-737-00-XX
15	(20)	1-056-743-00-XX	1-056-747-00-XX
20	(27)	1-056-753-00-XX	1-056-757-00-XX
25	(34)	1-056-763-00-XX	1-056-767-00-XX

## Ordering and Identification Information

The following example and tables provide information for selecting the appropriate two-letter suffix when ordering this Stearns Brake.

**Example of a complete part number:**  
 1-056-723-00-QC — Right hand leads  
     — 230/460 Vac  
     — Shaft diameter is 7/8"

**Example of a complete part number:**  
 1-087-232-00-QC — Right hand leads  
     — 230/460 Vac  
     — Shaft diameter is 1-1/4"

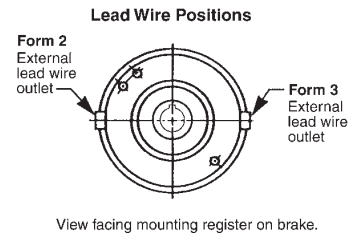
### Standard AC\* Voltage Ratings

Character	Voltage	Hz
B	115	60
D	110	50
E	200	60
F	230	60
	190	50
H	220	50
L	460	60
	380	50
M	415	50
N	575	60
O	110/220	50
P	115/208-230	60
Q	208-230/460	60
	190/380	50
R	200/400	60

### Direct Current

Character	Voltage
T	12
U	24
V	36
W	48
X	95
Y	115
Z	230

Character	Lead Wire Position
B	Form 2
C	Form 3



\*Current ratings see page 11

Modifications are available- see SAB Modification Section